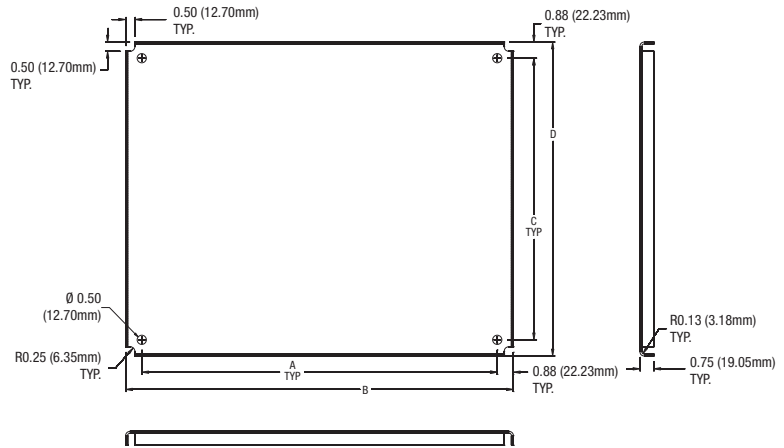


# Control Series / Empire Series: Optional Back Panels

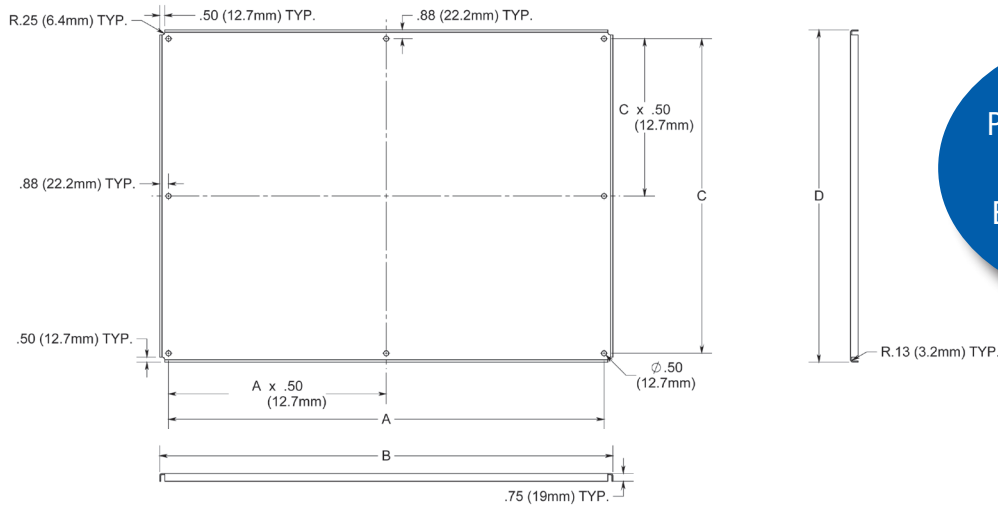
- “P” White Painted Carbon Steel
- “PA” Aluminum
- “PF” Fiberglass
- “PG” Galvannealed



## CONTROL SERIES

Steel	Alum	FRP	Galv	A	B	C	D
P2420	PA2420	PF2420	PG2420	19.25 489mm	21.00 533mm	15.25 387mm	17.00 432mm
P2424	PA2424	PF2424	PG2424	19.25 489mm	21.00 533mm	19.25 489mm	21.00 533mm
P3024	PA3024	PF3024	PG3024	25.25 641mm	27.00 686mm	19.25 489mm	21.00 533mm

Steel panel thickness: (0.1046”) P2420, P2424, P3024; Aluminum panel thickness: (0.1046”) PA2420, PA2424, PA3024  
 Fiberglass panel thickness: (0.250”) PF2420, PF2424, PF3024; Galvanized steel panel thickness: (0.1046”) PG2420, PG2424, PG3024  
 Note: Fiberglass is just a flat panel, no rolled edge.



Other Product Line  
Panels are found on:  
**Pages 125 & 127**  
EMPIRE Series Free  
Standing units

## EMPIRE SERIES

Steel	A	B	C	D
P3630CS	31.24 793mm	33.00 838mm	25.24 641mm	27.00 686mm
P3636CS	31.24 793mm	33.00 838mm	31.24 793mm	33.00 838mm
P4836CS	43.24 1,098mm	45.00 1,143mm	31.24 793mm	33.00 838mm
P6036CS	55.24 1,403mm	57.00 1,448mm	31.24 793mm	33.00 838mm

Note: Empire panels are 0.1046” in thickness

ACCESSORIES